

# SERIES B1A TRASH BASKET



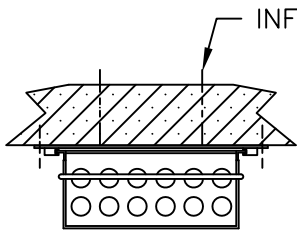
www.HallidayProducts.com  
 Phone 800-298-1027  
 Fax 407-298-4534  
 Sales@HallidayProducts.com

## STANDARD FEATURES:

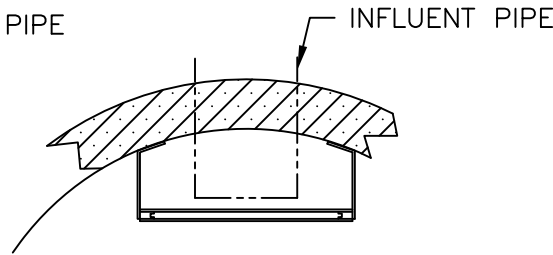
- ALL ALUMINUM CONSTRUCTION
- PERFORATED SCREENING STYLE
- EXTRUDED ALUMINUM GUIDERAIL SYSTEM
- OTHER SIZES AVAILABLE
- MODEL B4A STAINLESS STEEL BASKET AVAILABLE
- STAINLESS STEEL PIPE RAIL SYSTEM AVAILABLE

## REQUIRED INFORMATION:

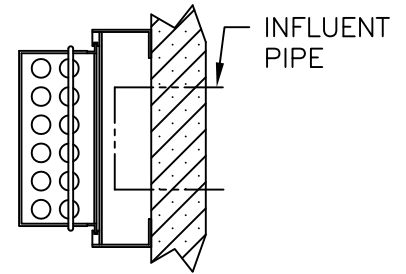
- BASIN DIAMETER
- RAIL LENGTH
- LENGTH OF STANDOFF (IF REQUIRED)



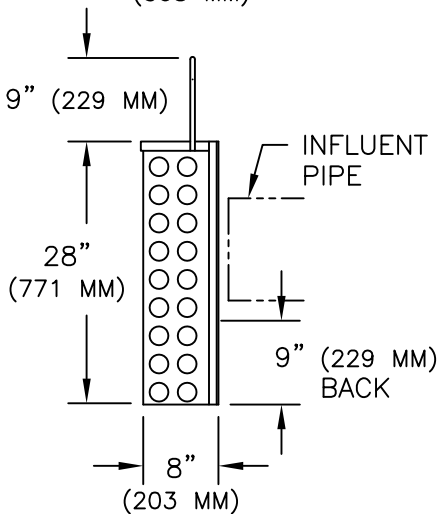
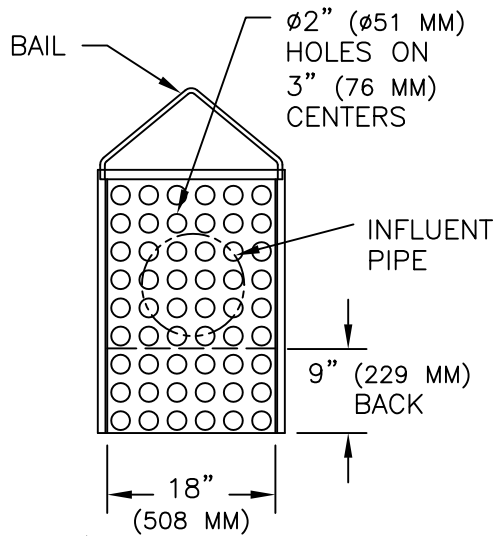
RAILS MOUNTED IN TANK  
W/FLUSH INFLUENT PIPE



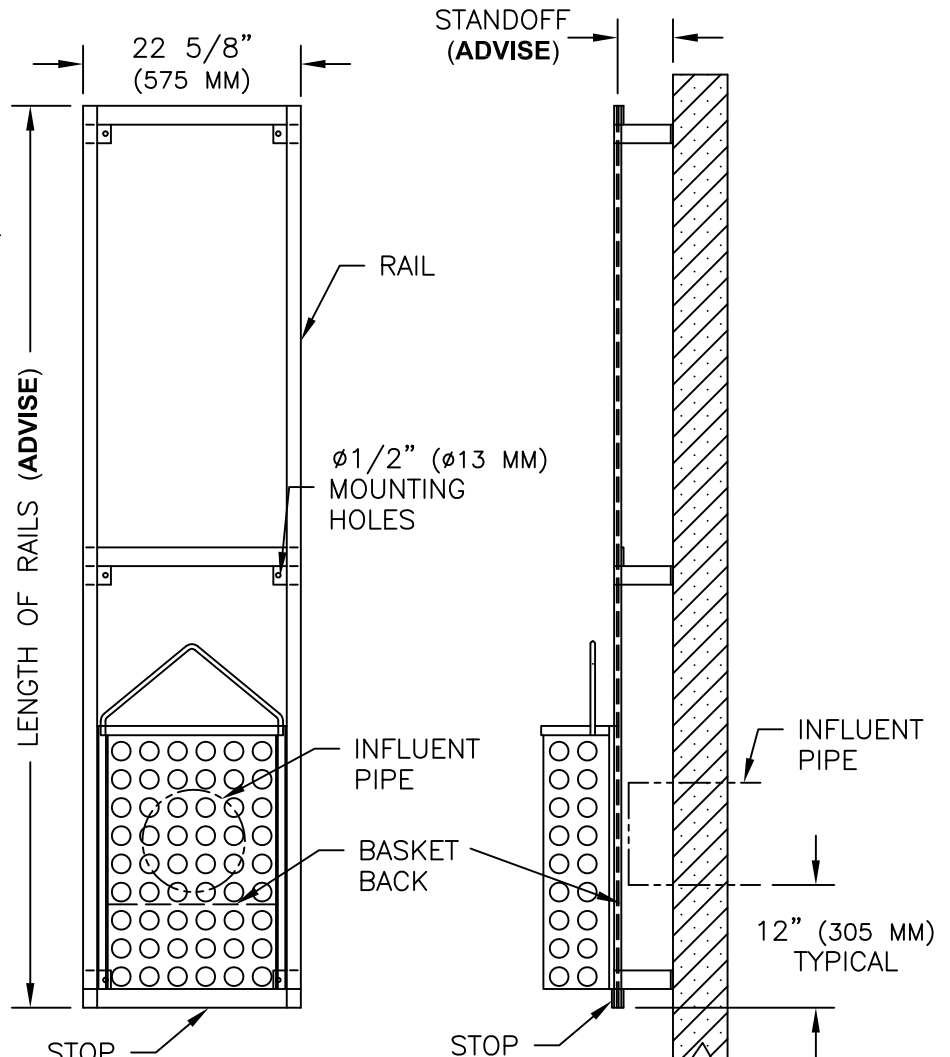
RAILS MOUNTED IN ROUND  
BASIN



RAILS MOUNTED IN  
RECTANGULAR BASIN



BASKET



BASKET AND RAILS