

SERIES V4A TELESCOPING VALVE



www.HallidayProducts.com
 Phone 800-298-1027
 Fax 407-298-4534
 Sales@HallidayProducts.com

STANDARD FEATURES:

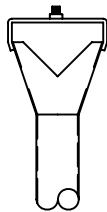
- STAINLESS STEEL CONSTRUCTION
- NON-RISING DESIGN
- 16" (406 MM) DIAMETER ALUMINUM HANDWHEEL
- $\phi 1 \frac{1}{8}$ ($\phi 29$ MM) S.STL. TRIPLE LEAD ACME ROD
- BRASS LIFTING NUT
- POLYMER BEARING PADS
- 150# S.STL. COMPANION FLANGE
- 1/4" (7 MM) THICK NEOPRENE WIPE GASKET
- 3 YEAR GUARANTEE

REQUIRED INFORMATION:

- BASE PLATE ELEVATION
- OFFSET
- HIGH WATER ELEVATION
- SLIDE PIPE MODEL (501, 502, 503)
- LENGTH OF TRAVEL
- TOP OF RISER PIPE ELEVATION
- EXISTING RISER PIPE SIZE

MODEL 502

SLIDE PIPE WITH CONE "V" WEIR TOP



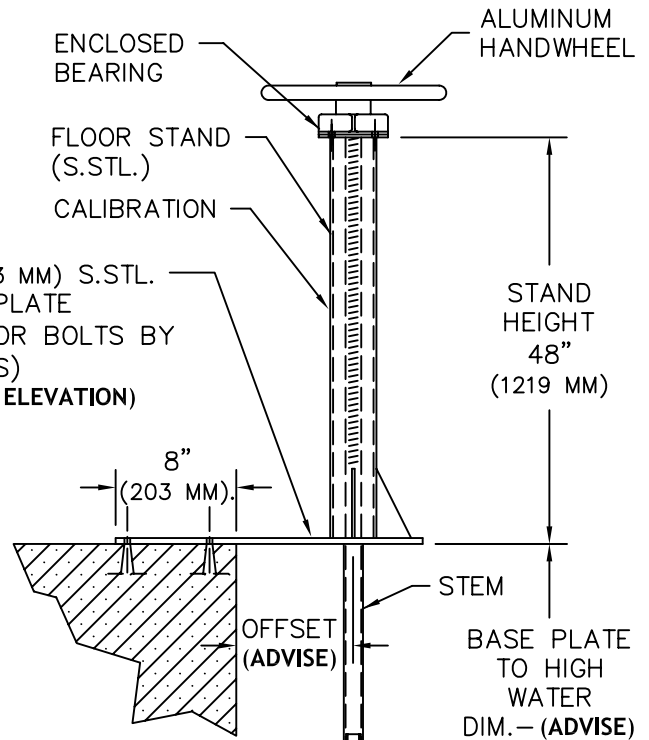
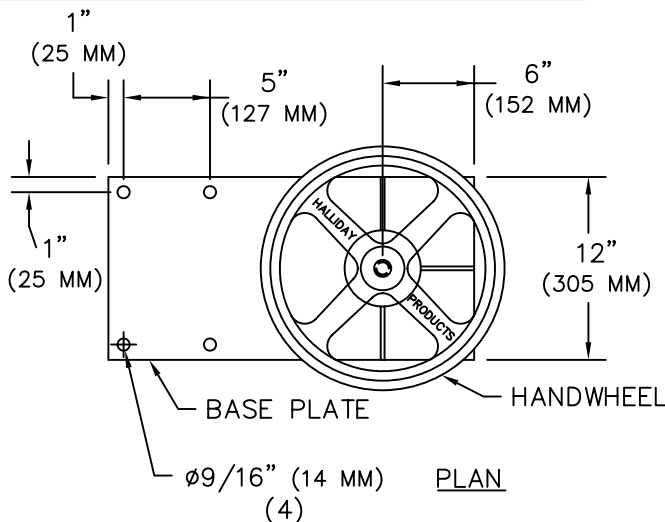
ELEVATION

MODEL 503

SLIDE PIPE WITH "V" WEIR TOP

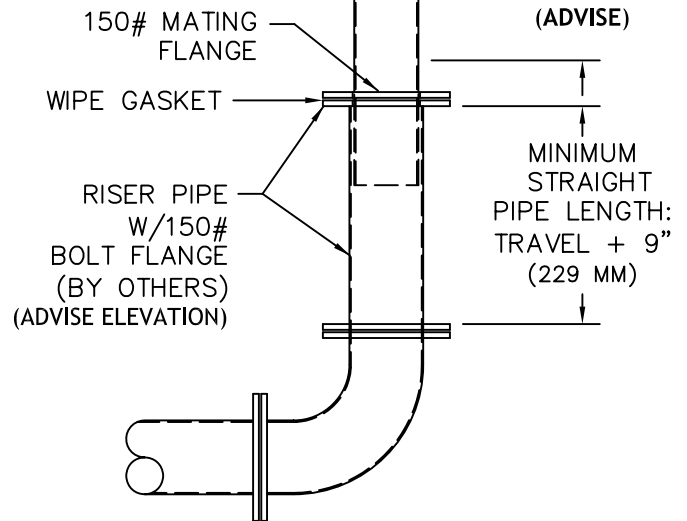


ELEVATION



MODEL 501

SLIDE PIPE SHOWN



ELEVATION