

# SERIES N1A STOP GATE

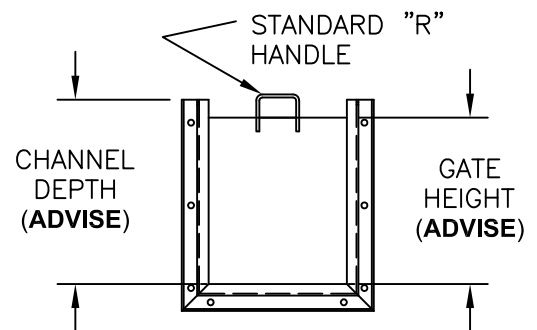
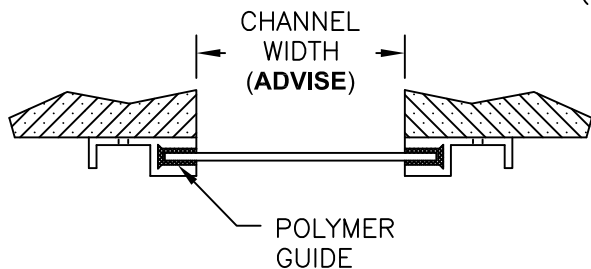


www.HallidayProducts.com  
 Phone 800-298-1027  
 Fax 407-298-4534  
 Sales@HallidayProducts.com

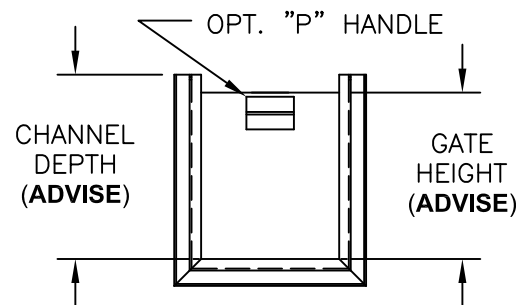
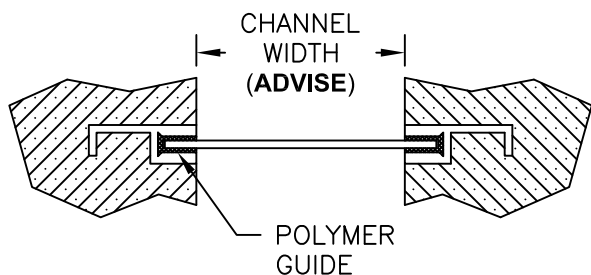
## STANDARD FEATURES:

- ONE-PIECE 6061-T6 EXTRUDED ALUMINUM FRAME
- ONE-PIECE, WRAP AROUND POLYMER GUIDE
- 1/4" (7 MM) THICK 6061-T6 ALUMINUM GATE REINFORCED TO DEFLECT NO MORE THAN 1/360th OF SPAN
- LOW COEFFICIENT OF FRICTION
- NON-OZONE DEPLETING BITUMINOUS COATING ON FRAME
- DEEP SEATING FOR OPTIMUM TRACKING
- STANDARD "R" HANDLE OR OPTIONAL "P" HANDLE
- SERIES N1A AND N1C SUPPLIED WITH  $\phi 1/2"$  (13 MM) MOUNTING HOLES AND S.STL. MOUNTING HARDWARE
- 3 YEAR GUARANTEE

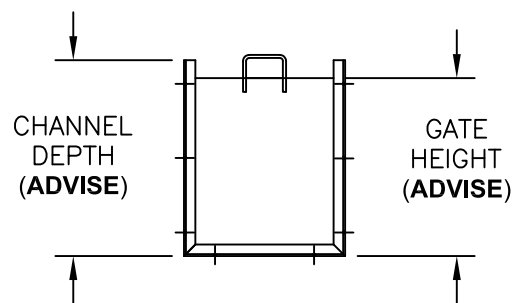
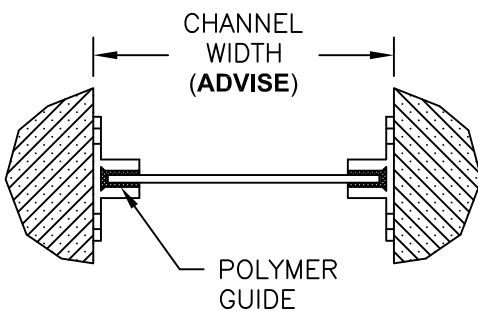
**SERIES N1A**  
(WALL MOUNTED)



**SERIES N1B**  
(EMBEDDED)



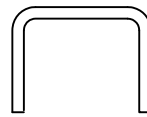
**SERIES N1C**  
(IN-CHANNEL MOUNTED)



GATE BOTTOM



STANDARD  
"R" HANDLE



OPTIONAL  
"P" HANDLE

