

# SERIES L1E LADDER EXTENSION

## STANDARD FEATURES:

- EASY TO INSTALL ON ALUMINUM OR STAINLESS LADDERS
- SECURE LOCKING IN THE EXTENDED POSITION
- LIGHT WEIGHT OPERATION
- ALL ALUMINUM AND STAINLESS STEEL CONSTRUCTION
- ALSO AVAILABLE IN ALL TYPE 304 OR TYPE 316 S.STL.



www.HallidayProducts.com  
Phone 800-298-1027  
Fax 407-298-4534  
Sales@HallidayProducts.com

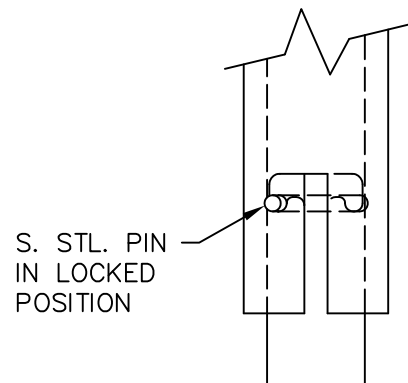
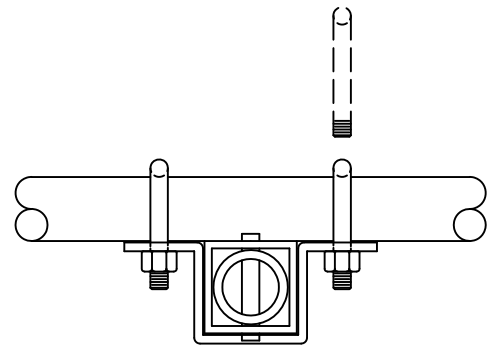
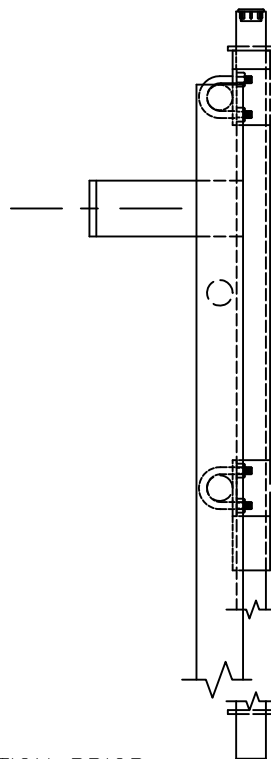
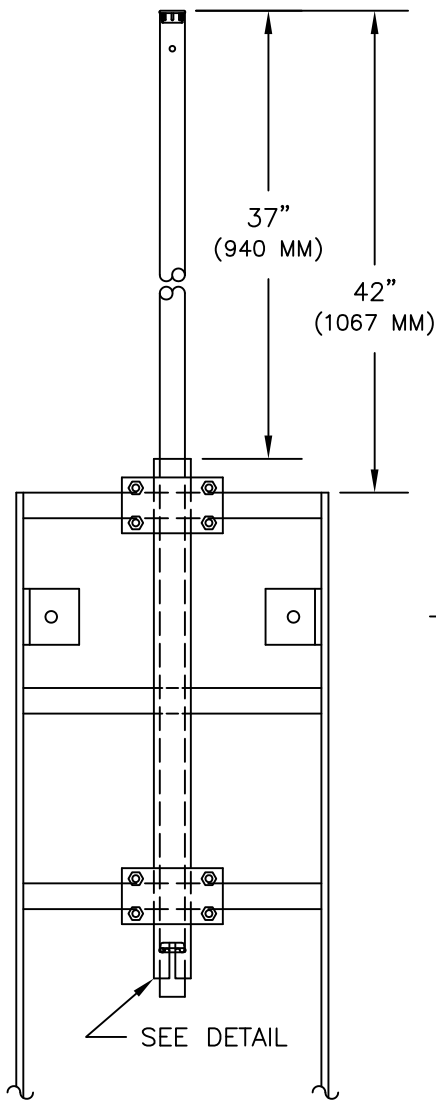
## INSTALLATION & OPERATION INSTRUCTIONS

### Installation:

- Place ladder flat on the ground with standoffs down.
- Place 2" (52 mm) square aluminum tube in center of rungs with the "T" shaped slot below third rung as shown.
- Place stainless steel channel clamp over square aluminum tube so "U" clamp holes line up on either side of rungs as shown.
- Insert stainless steel "U" bolts over rung and through holes in stainless steel channel clamp as shown.
- Apply 10-15 foot pounds (1.3-2.1 kg./meter) of torque to all "U" bolt nuts.
- Verify that square aluminum tube is secured to ladder rungs.

### Operation:

- To engage ladder extension, grasp aluminum post above the top stainless steel channel clamp, and pull straight up until lower stainless steel pin is seated.
- Rotate aluminum post 1/4 turn in either direction to secure pin in slot as shown in Detail.



DETAIL

NOTES:  
PIN MUST BE IN LOCKED POSITION PRIOR TO OPERATION.  
REQUIRES A MINIMUM LADDER LENGTH OF 6 FEET (1.8 METERS).