

SERIES H1R ACCESS DOOR



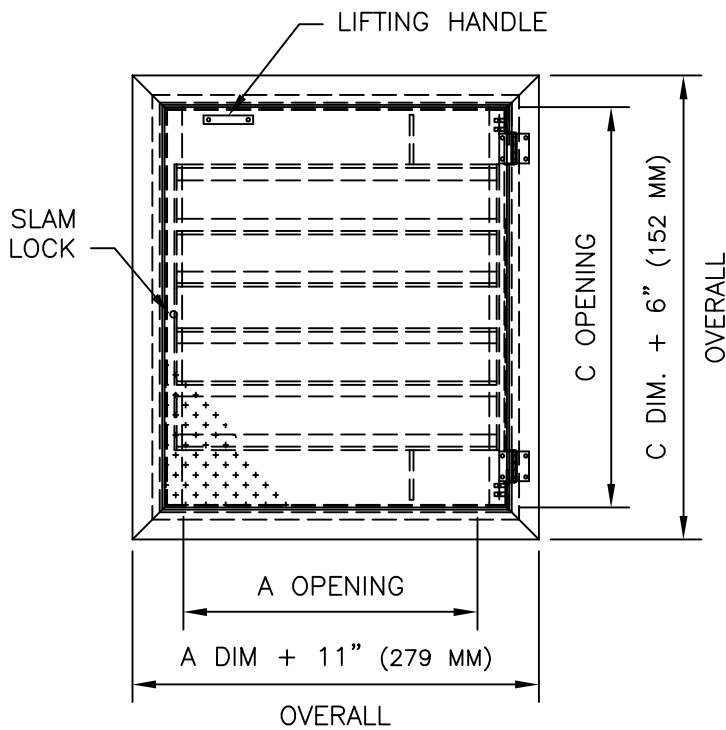
www.HallidayProducts.com
 Phone 800-298-1027
 Fax 407-298-4534
 Sales@HallidayProducts.com

STANDARD FEATURES:

- AUTO-LOCK T-316 STAINLESS STEEL HOLD OPEN ARM WITH RELEASE HANDLE
- T-316 STAINLESS STEEL HINGES AND ATTACHING HARDWARE
- T-316 STAINLESS STEEL SLAM LOCK WITH REMOVABLE KEY
- STAINLESS STEEL COMPRESSION SPRING ASSIST
- SINGLE LEAF CONSTRUCTION
- H20 LOAD RATING (SEE NOTES)
- EXTRUDED ALUMINUM FRAME
- RECESSED LIFTING HANDLE
- LIFETIME GUARANTEE

STANDARD SIZES

QTY.	MODEL NO.	A DIM. INCHES (MM)	C DIM. INCHES (MM)	UNIT WT. LBS. (KG.)
	H1R2424	24 (610)	24 (610)	60 (27)
	H1R2430	24 (610)	30 (762)	75 (34)
	H1R2436	24 (610)	36 (914)	90 (41)
	H1R2442	24 (610)	42 (1067)	105 (48)
	H1R3030	30 (762)	30 (762)	94 (43)
	H1R3036	30 (762)	36 (914)	113 (51)
	H1R3042	30 (762)	42 (1067)	131 (59)
	H1R3048	30 (762)	48 (1219)	150 (68)
	H1R3636	36 (914)	36 (914)	135 (61)
	H1R3642	36 (914)	42 (1067)	158 (72)
	H1R3648	36 (914)	48 (1219)	180 (82)



NOTES:

- 1) SUITABLE FOR USE IN OFF STREET LOCATION WHERE NOT SUBJECTED TO HIGH DENSITY TRAFFIC.
- 2) PROVIDE A FULL BED OF CLASS "A" CONCRETE UNDER FRAME AND SUPPORT ANGLES.

