

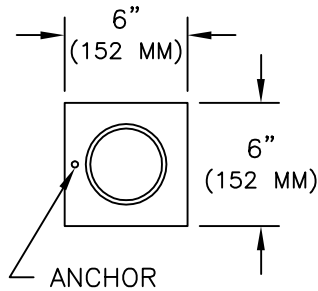
SERIES D HOIST SOCKETS



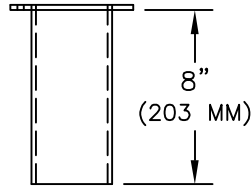
www.HallidayProducts.com
 Phone 800-298-1027
 Fax 407-298-4534
 Sales@HallidayProducts.com

STANDARD FEATURES:

- STAINLESS STEEL TYPE-304 (STANDARD) OR TYPE-316 (OPTIONAL) CONSTRUCTION
- AVAILABLE IN 3 STYLES
- AVAILABLE WITH POLYMER LINING FOR SMOOTHER ROTATION

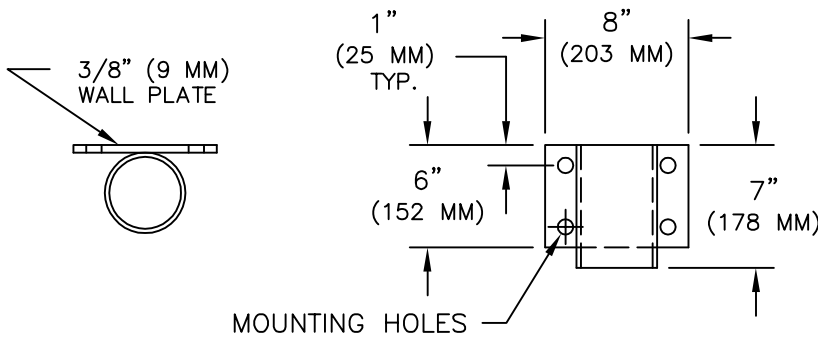


PLAN



ELEVATION

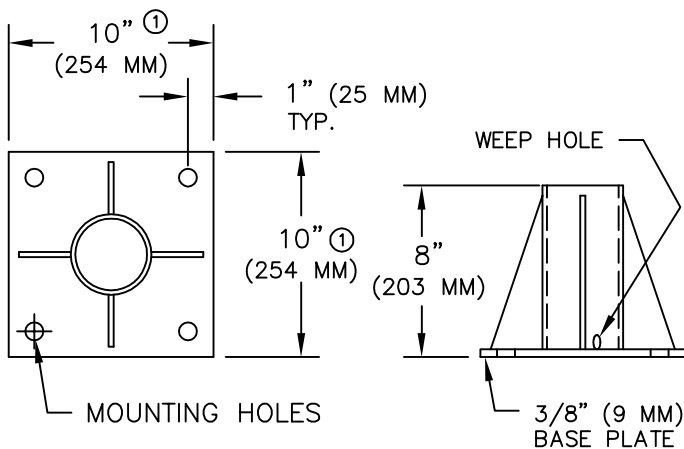
EMBED STYLE HOIST SOCKETS	
SOCKET MODEL #	FOR HOIST MODELS
D1E UNLINED	D1A AND D1B
D2E UNLINED	D2A AND D2B
D3E UNLINED	D3A AND D3B
D1R LINED	D1A AND D1B
D2R LINED	D2A AND D2B
NOT AVAILABLE	D3A AND D3B



PLAN

ELEVATION

WALL STYLE HOIST SOCKETS	
SOCKET MODEL #	FOR HOIST MODELS
D1W UNLINED	D1A AND D1B
D2W UNLINED	D2A AND D2B
NOT AVAILABLE	D3A AND D3B
D1V LINED	D1A AND D1B
D2V LINED	D2A AND D2B
NOT AVAILABLE	D3A AND D3B



PLAN

ELEVATION

FLOOR STYLE HOIST SOCKETS	
SOCKET MODEL #	FOR HOIST MODELS
D1F UNLINED	D1A AND D1B
D2F UNLINED	D2A AND D2B
D3F UNLINED	D3A AND D3B
D1S LINED	D1A AND D1B
D2S LINED	D2A AND D2B
NOT AVAILABLE	D3A AND D3B

NOTES:
 D1 AND D2 MOUNTING HOLES ARE $\phi 3/4$ " ($\phi 19$ MM)
 D3 MOUNTING HOLES ARE $\phi 7/8$ " ($\phi 305$ MM)

① D3 BASE PLATE 12" X 12"
 (305 MM X 305 MM)