

SERIES S2G ACCESS DOOR

(TYPE 304 STAINLESS STEEL)

SERIES S2K ACCESS DOOR

(TYPE 316 STAINLESS STEEL)

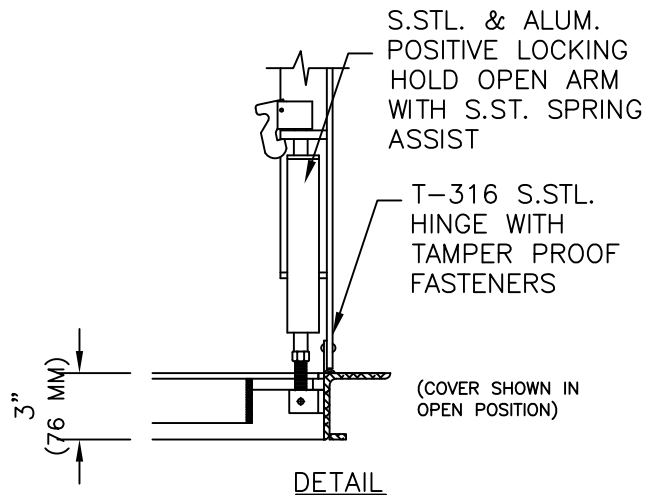
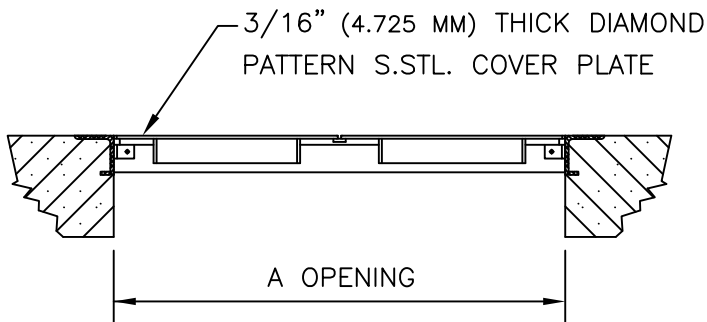
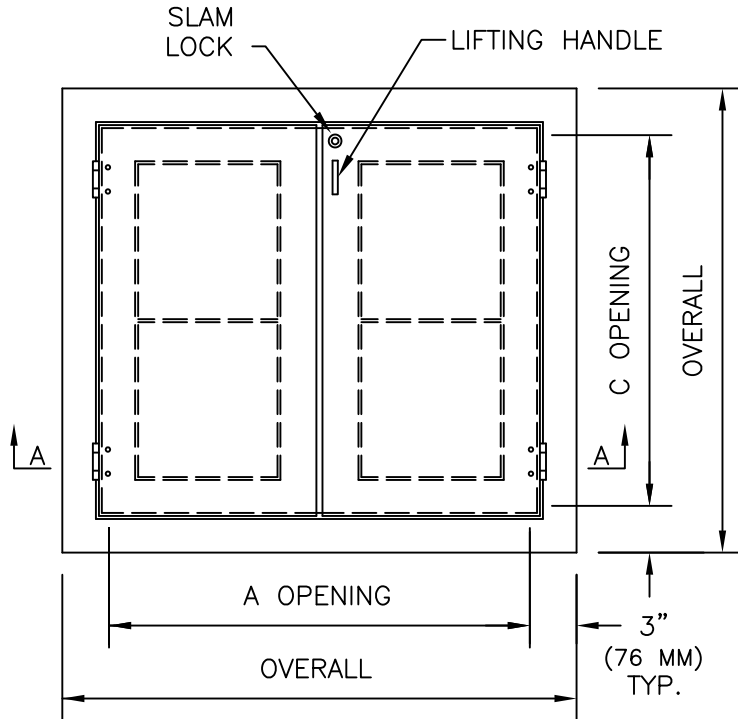


www.HallidayProducts.com
 Phone 800-298-1027
 Fax 407-298-4534
 Sales@HallidayProducts.com

STANDARD FEATURES:

- AUTO-LOCK T-316 STAINLESS STEEL HOLD OPEN ARM WITH RELEASE HANDLE
- T-316 STAINLESS STEEL HINGES AND ATTACHING HARDWARE
- T-316 STAINLESS STEEL SLAM LOCK WITH REMOVABLE KEY
- STAINLESS STEEL COMPRESSION SPRING ASSIST
- DOUBLE LEAF CONSTRUCTION
- 300 LBS. PER SQ. FT. LOAD RATING (1464 KG. PER SQ. METER LOAD RATING)
- STAINLESS STEEL FRAME
- LIFETIME GUARANTEE

STANDARD SIZES				
QTY.	MODEL SIZE	A DIM. INCHES (MM)	C DIM. INCHES (MM)	UNIT WT. LBS. (KG.)
	4848	48 (1219)	48 (1219)	334 (151)
	5436	54 (1372)	36 (914)	282 (128)
	5448	54 (1372)	48 (1219)	360 (163)
	6030	60 (1524)	30 (762)	255 (116)
	6036	60 (1524)	36 (914)	305 (138)
	6048	60 (1524)	48 (1219)	408 (185)
	6060	60 (1524)	60 (1524)	466 (211)
	7230	72 (1829)	30 (762)	279 (127)
	7236	72 (1829)	36 (914)	335 (152)
	7248	72 (1829)	48 (1219)	456 (207)



SECTION A-A

DETAIL