

SERIES H1G ACCESS DOOR

(TYPE 304 STAINLESS STEEL)

SERIES H1K ACCESS DOOR

(TYPE 316 STAINLESS STEEL)



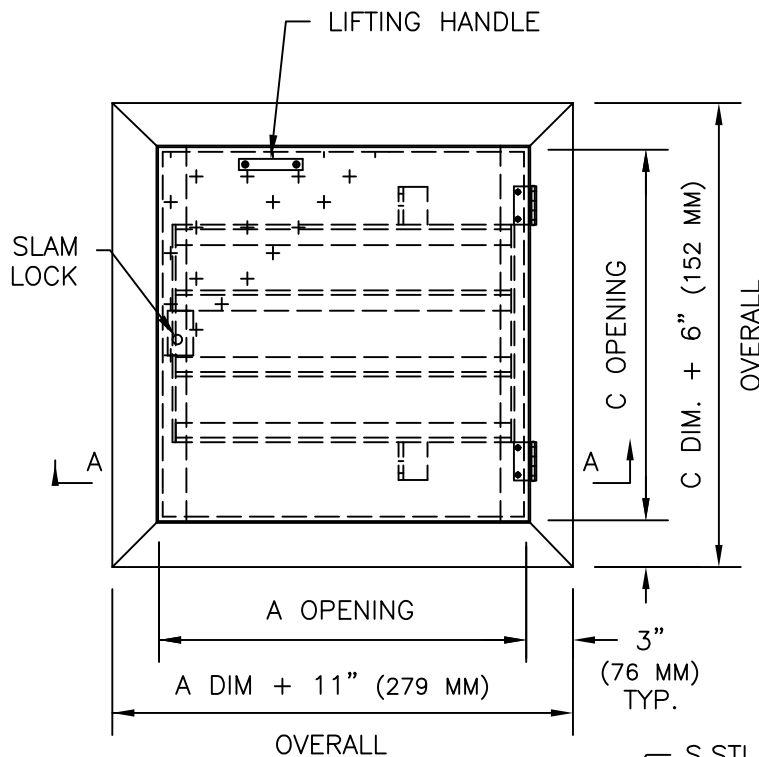
www.HallidayProducts.com
 Phone 800-298-1027
 Fax 407-298-4534
 Sales@HallidayProducts.com

STANDARD FEATURES:

- AUTO-LOCK T-316 STAINLESS STEEL HOLD OPEN ARM WITH RELEASE HANDLE
- T-316 STAINLESS STEEL HINGES AND ATTACHING HARDWARE
- T-316 STAINLESS STEEL SLAM LOCK WITH REMOVABLE KEY
- STAINLESS STEEL COMPRESSION SPRING ASSIST
- SINGLE LEAF CONSTRUCTION
- H20 LOAD RATING (SEE NOTES)
- STAINLESS STEEL FRAME
- LIFETIME GUARANTEE

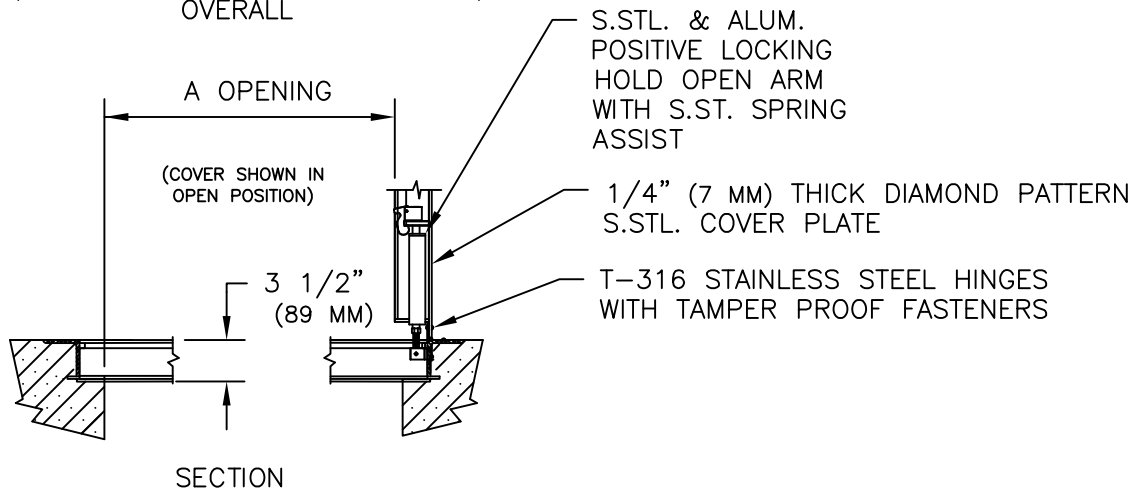
STANDARD SIZES

| QTY. | MODEL SIZE | A DIM. INCHES (MM) | C DIM. INCHES (MM) | UNIT WT. LBS. (KG.) |
|------|------------|--------------------|--------------------|---------------------|
| | 2424 | 24 (610) | 24 (610) | 160 (73) |
| | 2430 | 24 (610) | 30 (762) | 194 (88) |
| | 2436 | 24 (610) | 36 (914) | 211 (96) |
| | 3030 | 30 (762) | 30 (762) | 220 (100) |
| | 3036 | 30 (762) | 36 (914) | 226 (103) |
| | 2448 | 24 (610) | 48 (1219) | 242 (110) |
| | 3042 | 30 (762) | 42 (1067) | 264 (120) |
| | 3636 | 36 (914) | 36 (914) | 272 (123) |
| | 3048 | 30 (762) | 48 (1219) | 286 (130) |
| | 3642 | 36 (914) | 42 (1067) | 300 (136) |
| | 3054 | 30 (762) | 54 (1372) | 322 (146) |
| | 3648 | 36 (914) | 48 (1219) | 343 (156) |
| | 3654 | 36 (914) | 54 (1372) | 386 (175) |



NOTES:

- 1) SUITABLE FOR USE IN OFF STREET LOCATION WHERE NOT SUBJECTED TO HIGH DENSITY TRAFFIC.
- 2) PROVIDE A FULL BED OF CLASS "A" CONCRETE UNDER FRAME AND SUPPORT ANGLES.



SECTION