

SERIES F1G ACCESS DOOR

(TYPE 304 STAINLESS STEEL)

SERIES F1K ACCESS DOOR

(TYPE 316 STAINLESS STEEL)

STANDARD FEATURES:

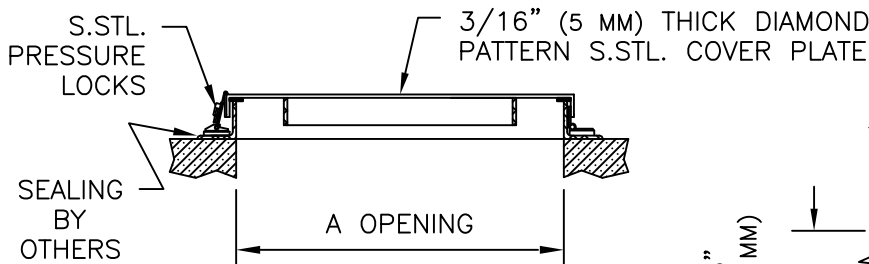
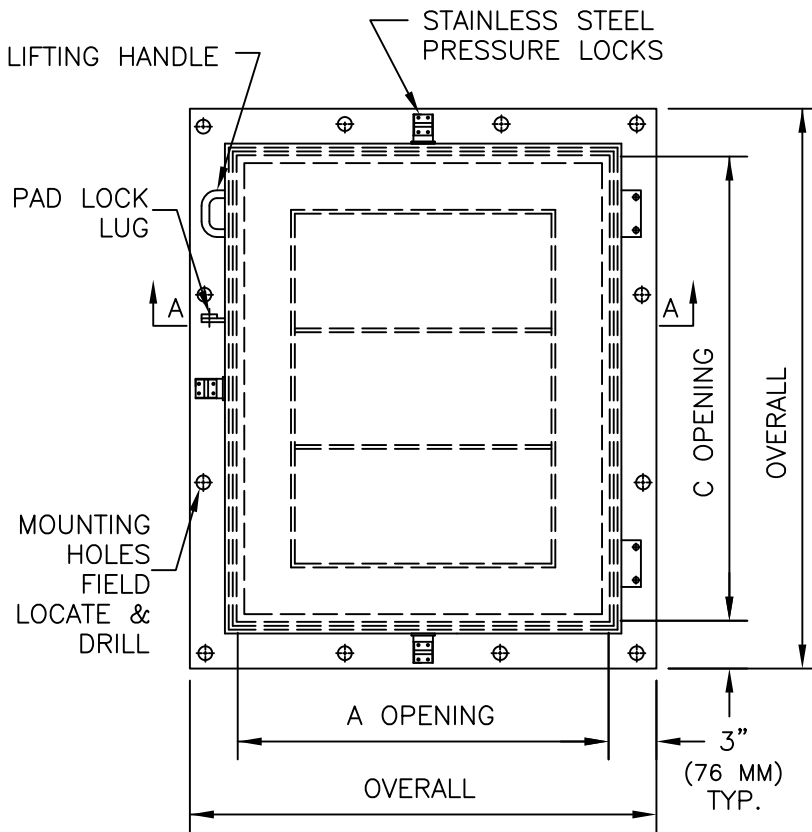
- AUTO-LOCK T-316 STAINLESS STEEL HOLD OPEN ARM WITH RELEASE HANDLE
- TYPE-316 STAINLESS STEEL HINGES AND ATTACHING HARDWARE
- STAINLESS STEEL PRESSURE LOCKS
- 1/4" (7 MM) NEOPRENE GASKET
- PADLOCK LUG
- SINGLE LEAF CONSTRUCTION
- 625 LBS. PER SQ. FT. LOAD RATING (28 KG. PER SQ. METER LOAD RATING)
- STAINLESS STEEL ANGLE FRAME
- LIFETIME GUARANTEE



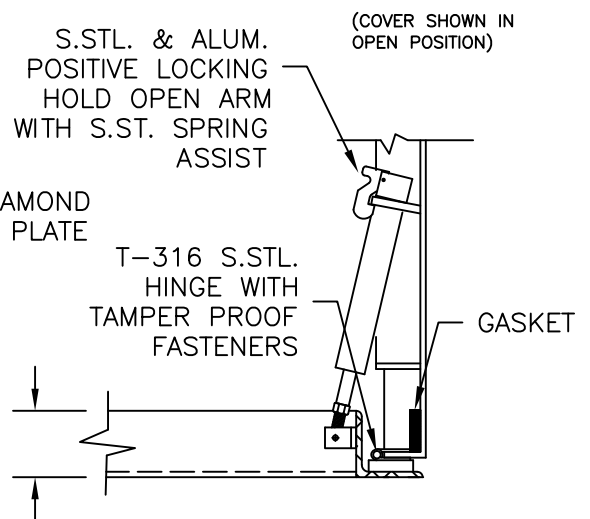
www.HallidayProducts.com
 Phone 800-298-1027
 Fax 407-298-4534
 Sales@HallidayProducts.com

STANDARD SIZES

QTY.	MODEL SIZE	A DIM. INCHES (MM)	C DIM. INCHES (MM)	UNIT WT. LBS. (KG.)
	2424	24 (610)	24 (610)	100 (45)
	2430	24 (610)	30 (762)	115 (52)
	2436	24 (610)	36 (914)	138 (63)
	2442	24 (610)	42 (1067)	161 (73)
	2448	24 (610)	48 (1219)	184 (83)
	3030	30 (762)	30 (762)	144 (65)
	3036	30 (762)	36 (914)	173 (78)
	3042	30 (762)	42 (1067)	193 (88)
	3048	30 (762)	48 (1219)	206 (93)
	3054	30 (762)	54 (1372)	232 (105)
	3060	30 (762)	60 (1524)	258 (117)
	3072	30 (762)	72 (1829)	309 (140)
	3636	36 (914)	36 (914)	198 (90)
	3642	36 (914)	42 (1067)	216 (98)
	3648	36 (914)	48 (1219)	247 (112)
	3654	36 (914)	54 (1372)	278 (126)
	3660	36 (914)	60 (1524)	309 (140)
	3672	36 (914)	72 (1829)	371 (168)



SECTION A-A



DETAIL