

# SERIES F1R ACCESS DOOR

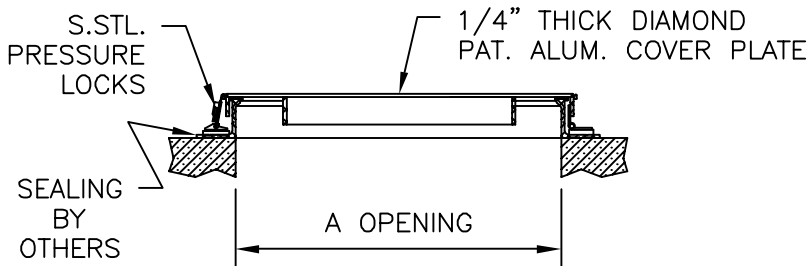
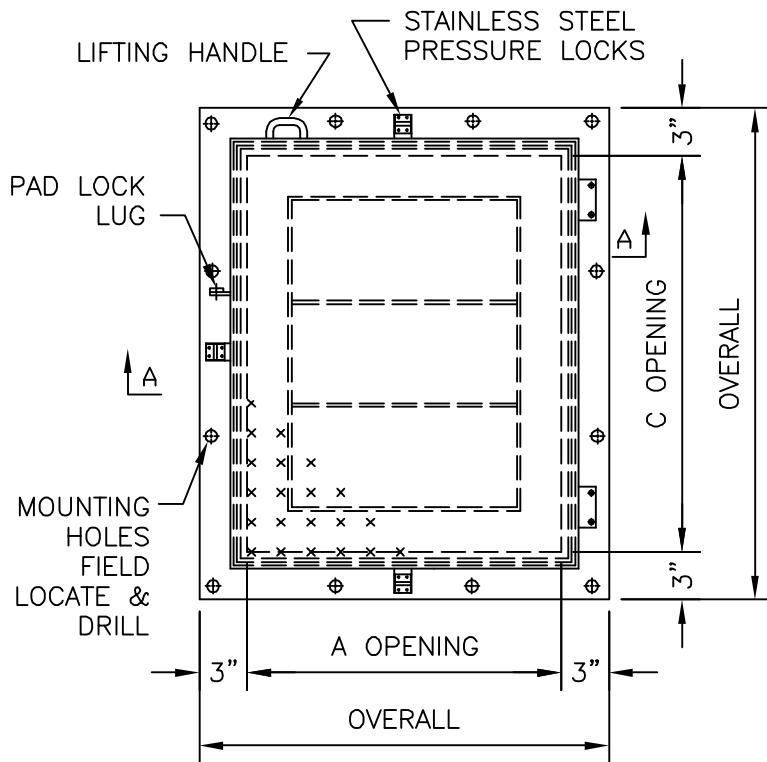


## STANDARD FEATURES:

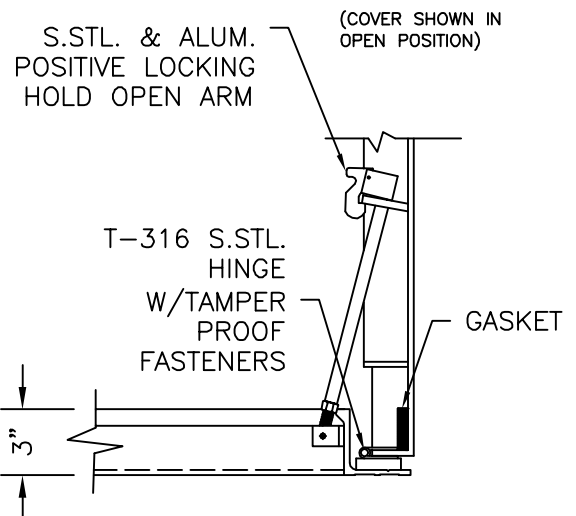
- AUTO-LOCK T-316 STAINLESS STEEL HOLD OPEN ARM WITH RELEASE HANDLE
- TYPE-316 STAINLESS STEEL HINGES AND ATTACHING HARDWARE
- STAINLESS STEEL PRESSURE LOCKS
- 1/4" NEOPRENE GASKET
- PADLOCK LUG
- SINGLE LEAF CONSTRUCTION
- 625 LBS. PER SQ. FT. LOAD RATING
- EXTRUDED ALUMINUM FRAME
- LIFETIME GUARANTEE

www.HallidayProducts.com  
 Phone 800-298-1027  
 Fax 407-298-4534  
 Sales@HallidayProducts.com

QTY.	MODEL NO.	DIMENSIONS		UNIT WT. (LBS.)
		A	C	
	F1R2424	24"	24"	46
	F1R2430	24"	30"	51
	F1R2436	24"	36"	61
	F1R2442	24"	42"	77
	F1R2448	24"	48"	85
	F1R3030	30"	30"	54
	F1R3036	30"	36"	69
	F1R3042	30"	42"	77
	F1R3048	30"	48"	85
	F1R3054	30"	54"	99
	F1R3060	30"	60"	106
	F1R3636	36"	36"	70
	F1R3642	36"	42"	89
	F1R3648	36"	48"	97
	F1R3654	36"	54"	107
	F1R3660	36"	60"	104
	F1R3666	36"	66"	126
	F1R3672	36"	72"	135



SECTION A-A



DETAIL