

SERIES G1J & G1K SLIDE GATES

TABLE OF CONTENTS

V e n d o r D a t a

A p p l i c a t i o n a n d S p e c i f i c a t i o n

I n s t a l l a t i o n a n d M a i n t e n a n c e I n s t r u c t i o n s

L i m i t e d W a r r a n t y

VENDOR DATA

**HALLIDAY PRODUCTS, INC.
6401 Edgewater Drive
Orlando, FL 32810**

Phone: 407-298-4470 - Fax: 407-298-4534

Toll Free: 800-298-1027

Email: info@HallidayProducts.com

Web Site at www.HallidayProducts.com

Armond Bordeau, Contact

Series G1J & G1K Slide Gates

STANDARD FEATURES:

One-Piece 6061-T6 extruded aluminum frame; weighing 4lbs/ft.
Dual-Slot design
One-Piece polymer guide
¼" thick 6061-T6 aluminum gate
Low coefficient of friction
Deep seating for optimum tracking
Reinforced to deflect no more than 1 360th of span
Stainless Steel Floor Stand
Standard 16" aluminum handwheel
Polymer bearing pads
1-1/2" stainless steel acme rod
Stainless steel hardware throughout
Non-Ozone depleting bituminous coating
Brass lifting nut
Optional top seal (P Cord)
Optional clear stem cover
3-year guarantee

SPECIFICATION:

The slide gate assemblies shall be manufactured by Halliday Products, Inc. Orlando, Florida. The frame shall be a one-piece ¼" thick 6061-T6 aluminum extrusion weighing 4 lbs. per foot and with a continuous embed or mounting flange as required. The aluminum frame shall incorporate a one-piece extruded polymer channel liner. The unit shall have a floor stand of 4-in. square stainless steel tube with 1/8-in. wall and mounted to a stainless steel base plate. The handwheel shall be 16" diameter cast aluminum and work in conjunction with a brass lifting nut and 1-1/2" diameter stainless steel acme rod. All hardware shall be stainless steel. The lifting nut shall be provided with grease fitting for ease of lubrication. Polymer bearing pads shall be incorporated above and below the brass nut. The gate shall be ¼" thick 6061-T6 aluminum and reinforced to deflect no more than 1 360th of the span. The slide gate shall have a flush bottom closure and bottom seal. The handwheel, gate and stem shall be removable. Unit shall be guaranteed against defects in material and/or workmanship for a period of 3 years.

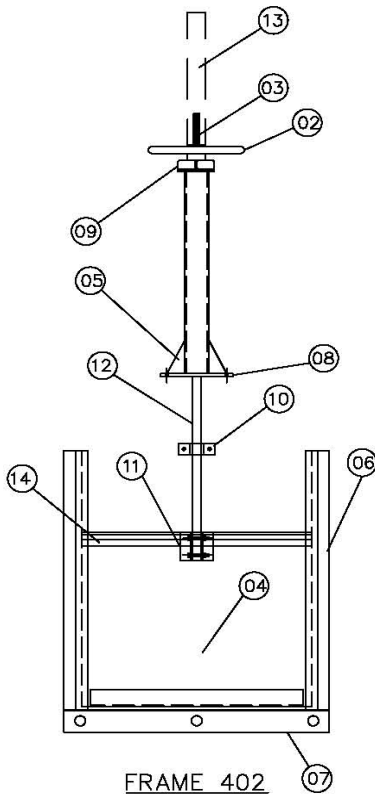
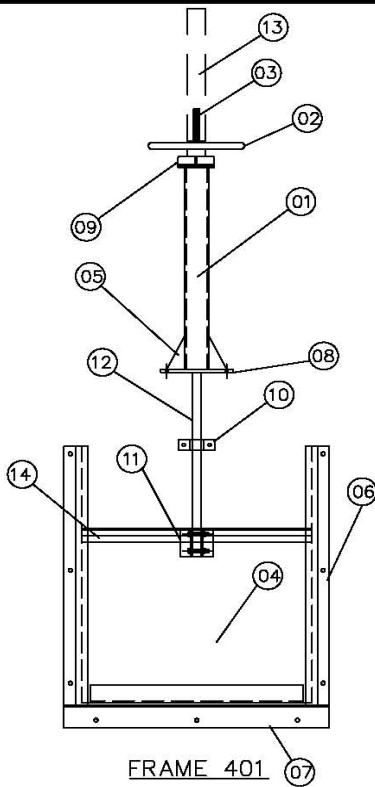
Series G1J & G1K Slide Gates

APPLICATION:

Medium duty self-contained aluminum slide gate is used in moderate head conditions where a slight leakage is allowable. This style of gate is commonly used in splitter boxes, headworks, clarifiers, weir boxes, control chambers, lagoons and bar screen structures. The extruded aluminum frame has a factory applied bituminous coating and incorporates a dovetail polymer guide. The plate thickness is ¼-in. and the frame weight is 2.3 lbs. per foot. Units utilize a 16-in. aluminum handwheel and 1-1/8-in. stainless steel triple lead acme rod for gate movement. A brass lifting nut and polymer bearing pads are contained in cast aluminum housing. Gate assemblies can be embedded, face mounted or installed in existing channel applications. Units conform to AWWA 501-C allowable leakage standards.



SERIES G1J
SERIES G1K



STANDARD COMPONENT PARTS

- ① STAND
- ② HAND WHEEL
- ③ ACME ROD
- ④ GATE
- ⑤ STAND BRACE
- ⑥ FRAME SIDE
- ⑦ FRAME BOTTOM
- ⑧ STAND BASE PLATE
- ⑨ HAND WHEEL HOUSING
- ⑩ IDLER BRACKET (IF REQ'D)
- ⑪ ATTACHING ANGLES
- ⑫ PIPE EXT.
- ⑬ STEM COVER
- ⑭ NEOPRENE GASKETING

Installation, Operation and Maintenance

INSTALLATION:

When Halliday Products slide gates are embedded, block-outs should be used. Block-out cavity should be a minimum of 6 inches wide by 6 inches deep, with bottom of bench stand located at the finish concrete elevation.

Units must be set plumb and properly located, braced and grouted in place. Where the gate is to mount on the face of the concrete, grout should be placed between the gate frame and the concrete. It is vital that the gate frame be plumb and properly located, and that it not be distorted during installation.

Stainless steel anchor bolts are furnished by the manufacturer.

OPERATION:

A person should operate Halliday Products slide gates. No mechanical device should be used. Make sure that debris, such as wood or metal items, is not interfering with the slide gate movement.

MAINTENANCE:

Halliday Products uses aluminum, stainless steel and Tivar in the construction of slide gates. Consequently, minimal maintenance is required to keep the units in good working condition.

For ease of operation and long product life we recommend that once yearly the gates should be removed and inspected for heavy buildup of debris and that frame slots are free of debris.



LIMITED WARRANTY

Halliday Products, Inc., a Florida Corporation ("Company") warrants to the original customer the aluminum slide gate and frame will be free from defective material or faulty workmanship for a period of three (3) years from date of purchase by Customer. In the event of malfunction or other indication of failure attributable directly to defective material or faulty workmanship, Company will, upon receipt of a written notification from customer of such defective material or faulty workmanship, at its option and expense, repair or replace the defective slide gate assembly, or a component thereof, to whatever extent Company shall deem necessary to restore the slide gate assembly, or a component thereof, to proper operating condition. Company may replace the defective slide gate assembly, or a component thereof, with either a new or remanufactured, functionally equivalent slide gate assembly or component thereof at the Company's option. **THIS WARRANTY IS EXCLUSIVE AND IN LIEU OF ALL OTHER WARRANTIES, WHETHER OR NOT STATUTORY, OR EXPRESSED OR IMPLIED, INCLUDING WITHOUT LIMITATION, THE IMPLIED WARRANTIES OF MERCHANTABILITY AND FITNESS FOR A PARTICULAR PURPOSE. THE EXCLUSIVE REMEDY FOR DEFECTIVE SLIDE GATE ASSEMBLY SHALL BE ONLY IN CONTRACT, WHETHER OR NOT CAUSED BY A DEFECTIVE SLIDE GATE ASSEMBLY, OR NEGLIGENCE. COMPANY'S LIABILITY FOR LOSS OR DAMAGES SHALL NOT EXCEED THE PRICE PAID BY CUSTOMER FOR THE SLIDE GATE ASSEMBLY, REGARDLESS OF THE FORM OF ANY CLAIM. IN NO EVENT SHALL COMPANY BE LIABLE FOR ANY SPECIAL, INCIDENTAL, INDIRECT, CONSEQUENTIAL, OR PUNITIVE DAMAGES WHATSOEVER RESULTING FROM ANY DEFECTIVE SLIDE GATE ASSEMBLY OR COMPONENT THEREOF. IF MODIFICATION OR ALTERATION IS MADE TO THE SLIDE GATE ASSEMBLY OR COMPONENT THEREOF BY OTHER THAN COMPANY AUTHORIZED PERSONS, OR IF IT IS INSTALLED IMPROPERLY, OR MISUSED, ABUSED AND/OR NEGLECTED, THIS LIMITED WARRANTY IS NULL AND VOID AND OF NO EFFECT. THIS LIMITED WARRANTY DOES NOT APPLY AND THE COMPANY WILL HAVE NO RESPONSIBILITY HEREUNDER FOR NORMAL WEAR AND TEAR.**

Halliday Products, Inc.
6401 Edgewater Dr
Orlando, FL 32810
Toll Free: 800-298-1027
Fax: 407-298-4534
Email: Info@HallidayProducts.com