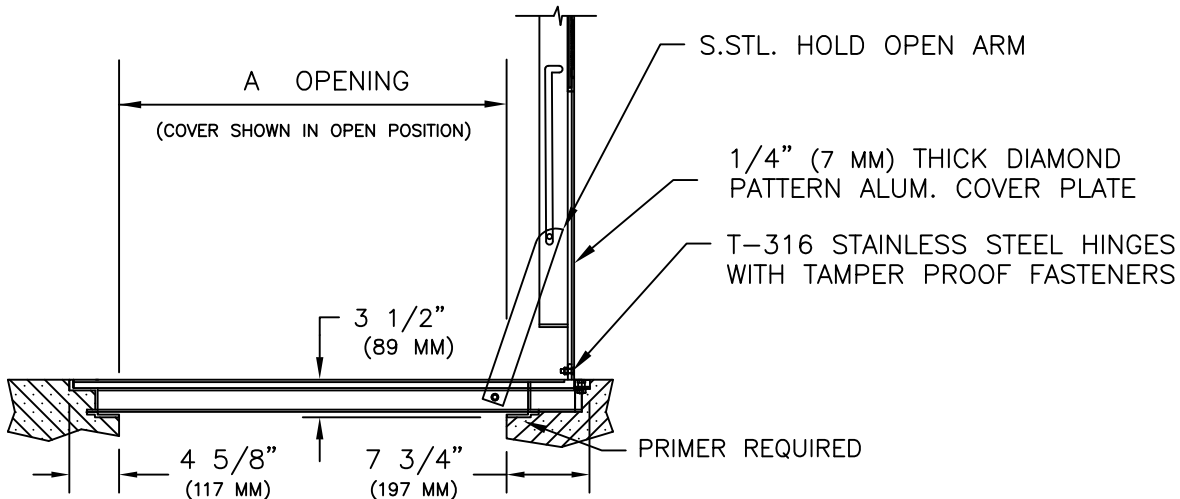
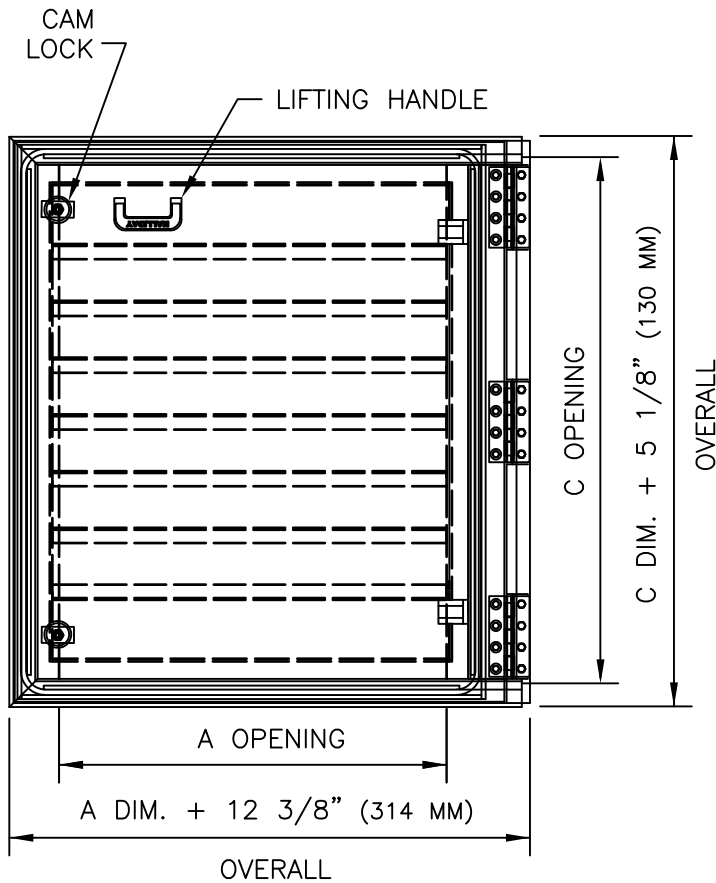


SERIES F1H ACCESS DOOR

STANDARD FEATURES:

- 1/4 ALUMINUM TREAD PLATE COVER
- 1/4 THICK ALUMINUM FRAME EXTRUSION
- T-316 STAINLESS STEEL HARDWARE
- EPDM GASKET/CUSHION (ON COVER)
- STAINLESS STEEL HOLD OPEN ARM
- CAM LOCKS
- SPRING ASSIST
- LIFETIME GUARANTEE
- FLOODTIGHT/ODORTIGHT – UP TO 25 FT. COLUMN OF WATER (H-20 LOAD RATING)



STANDARD SIZES

QTY.	MODEL NO.	A DIM. INCHES (MM)	C DIM. INCHES (MM)	UNIT WT. LBS. (KG.)
	F1H2424	24 (610)	24 (610)	95 (43)
	F1H2430	24 (610)	30 (762)	108 (49)
	F1H2436	24 (610)	36 (914)	120 (54)
	F1H2442	24 (610)	42 (1067)	141 (64)
	F1H2448	24 (610)	48 (1219)	158 (72)
	F1H3030	30 (762)	30 (762)	120 (54)
	F1H3036	30 (762)	36 (914)	134 (61)
	F1H3042	30 (762)	42 (1067)	156 (71)
	F1H3048	30 (762)	48 (1219)	172 (78)
	F1H3054	30 (762)	54 (1372)	187 (85)
	F1H3060	30 (762)	60 (1524)	201 (91)
	F1H3072	30 (762)	72 (1829)	232 (105)
	F1H3636	36 (914)	36 (914)	149 (68)
	F1H3642	36 (914)	42 (1067)	175 (79)
	F1H3648	36 (914)	48 (1219)	194 (88)
	F1H3654	36 (914)	54 (1372)	209 (95)
	F1H3660	36 (914)	60 (1524)	225 (102)
	F1H3672	36 (914)	72 (1829)	256 (116)

NOTES:

- 1) SUITABLE FOR USE IN OFF STREET LOCATION WHERE NOT SUBJECTED TO TRAFFIC
- 2) PROVIDE A FULL BED OF CLASS "A" CONCRETE UNDER FRAME AND SUPPORT ANGLES.
- 3) MINIMAL LEAKAGE MAY OCCUR UNDER NORMAL OPERATION AS THIS PRODUCT IS NOT GUARANTEED TO BE 100% WATERTIGHT. NOT RECOMMENDED FOR INSTALLATION OVER ELECTRICAL COMPONENTS.