

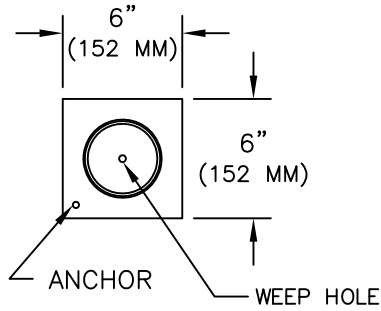
# SERIES D HOIST SOCKETS



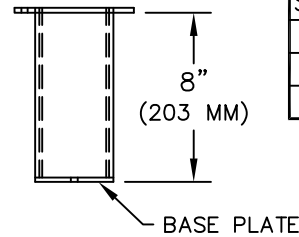
www.HallidayProducts.com  
 Phone 800-298-1027  
 Fax 407-298-4534  
 Sales@HallidayProducts.com

## STANDARD FEATURES:

- STAINLESS STEEL TYPE-304 (STANDARD) OR TYPE-316 (OPTIONAL) CONSTRUCTION
- AVAILABLE IN 3 STYLES
- SUPPLIED WITH POLYMER LINING FOR SMOOTHER ROTATION
- 3 YEAR GUARANTEE

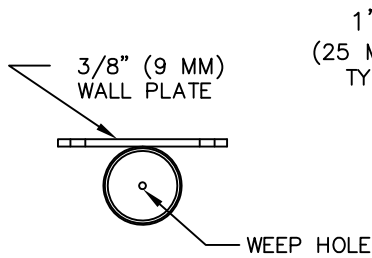


PLAN

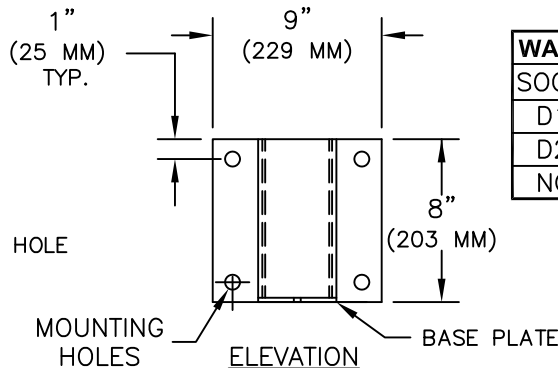


ELEVATION

EMBED STYLE HOIST SOCKETS	
SOCKET MODEL #	FOR HOIST MODELS
D1R LINED	D1A AND D1B
D2R LINED	D2A AND D2B
D3R LINED	D3A AND D3B

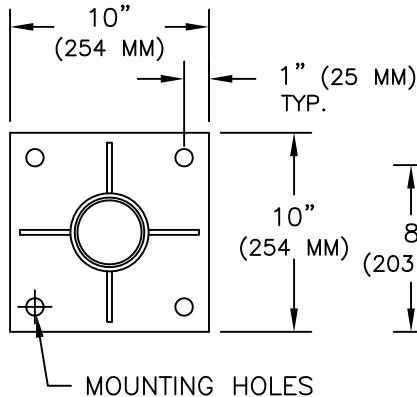


PLAN

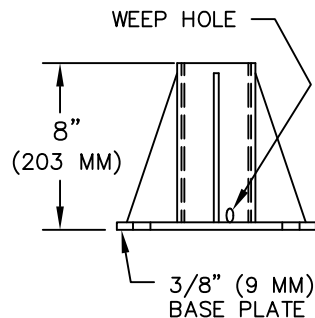


ELEVATION

WALL STYLE HOIST SOCKETS	
SOCKET MODEL #	FOR HOIST MODELS
D1V LINED	D1A AND D1B
D2V LINED	D2A AND D2B
NOT AVAILABLE	D3A AND D3B



PLAN



ELEVATION

FLOOR STYLE HOIST SOCKETS	
SOCKET MODEL #	FOR HOIST MODELS
D1S LINED	D1A AND D1B
D2S LINED	D2A AND D2B
D3S LINED	D3A AND D3B

NOTES:  
 MOUNTING HOLES ARE  $\phi 3/4"$  ( $\phi 19$  MM)