

SERIES X RETRO-GRATE™
Factory Installed
Fall-Thru Prevention System

TABLE OF CONTENTS

Vendor Data

Material Data Sheet

Specification

Component Parts List

Storage, Handling, Installation & Maintenance Instructions

Limited Warranty

VENDOR DATA

**HALLIDAY PRODUCTS, INC.
6401 Edgewater Drive
Orlando, FL 32810**

Phone: 407-298-4470 - Fax: 407-298-4534

Toll Free: 800-298-1027

Email: sales@HallidayProducts.com

Web Site at www.HallidayProducts.com

MATERIAL DATA SHEET

Series X Retro-Grate™

1. 6063-T6 Aluminum "I" bar grating construction
2. 6061-T6 Aluminum mounting brackets & support arms.
3. The following items shall be Type 316 Stainless Steel: hold-open arm, roll pins, cotter pins, attaching hardware and all mounting hardware.
4. Units shall carry a 3 Year Guarantee against defects in material and/or workmanship.

SERIES X RETRO-GRATE™

STANDARD FEATURES:

6063-T6 Aluminum "I" bar grating
Auto-lock, T316 stainless steel hold-open arm with release handle
T-316 stainless steel roll pins, cotter pins and attaching hardware
T-316 stainless steel mounting hardware
View area for observation and limited maintenance
Safety orange powder-coated finish
300 lb/ft² (1462 kg/m²) live load
3 Year guarantee

SPECIFICATION:

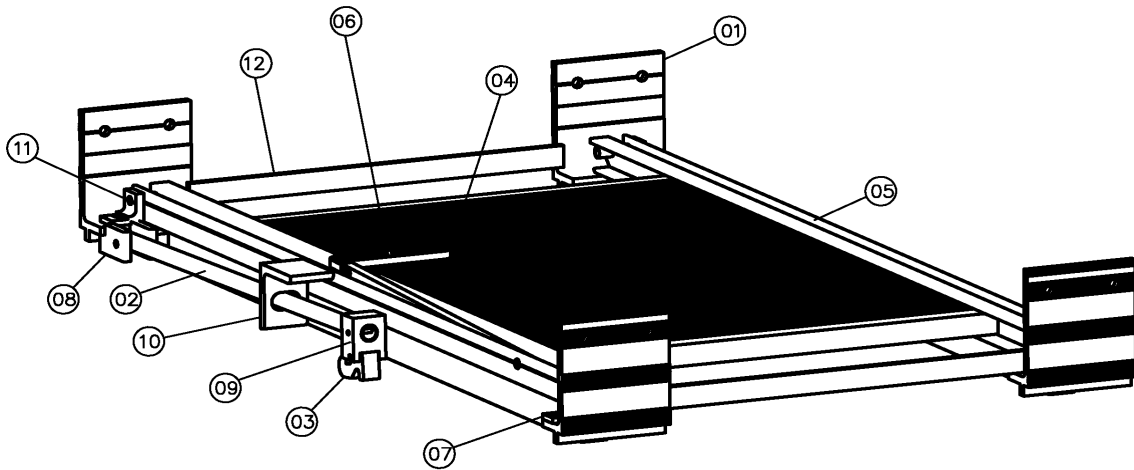
The X Series Retro-Grate™ as manufactured by Halliday Products, Inc. of Orlando, Florida shall have aluminum support beams for the aluminum "I" bar grating. The heavy duty mounting brackets shall be pre-drilled to accept factory supplied mounting hardware. The grating panel shall open to 90 degrees and automatically lock with T-316 stainless steel hold-open arm with aluminum release handle. When in the down / closed position the grating beams shall rest on 5" wide x 3/8" thick support angles. Unit is provided with a padlock staple for owner supplied padlock. All mounting hardware shall be T-316 stainless steel. The protective grating panel shall be 1 inch (25 kg.) aluminum "I" bar grating with Safety Orange powder-coated finish. Grating shall be hinged with tamper proof stainless steel bolts. Grating designed to create an approximate 6-in. (152mm) viewing area on each side for visual observation and limited maintenance. Unit shall carry a 3 year guarantee against defects in material and/or workmanship.



RETRO-GRATE

STANDARD COMPONENT PARTS

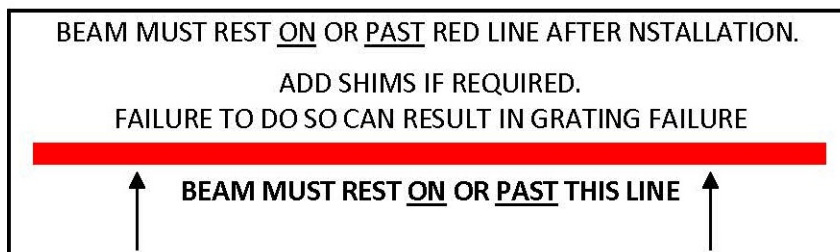
- | | | | |
|---|------------------------------|---|---------------------------|
| ① | RETRO-GRATE SUPPORT BRACKETS | ⑦ | RETRO-GRATE LOCKING TAB |
| ② | RETRO-GRATE HOLD-OPEN ARM | ⑧ | H.O.A. LOWER CLEVIS |
| ③ | RETRO-GRATE H.O.A. LATCH | ⑨ | H.O.A. UPPER CLEVIS |
| ④ | RETRO-GRATE | ⑩ | H.O.A. GUIDE PLATE |
| ⑤ | RETRO-GRATE SUPPORT BEAMS | ⑪ | RETRO-GRATE HINGE BRACKET |
| ⑥ | RETRO-GRATE HANDLE | ⑫ | RETRO-GRATE SPACER BAR |



Periodic Inspection & Maintenance Procedures

Because the Retro-Grate™ protective grating system manufactured by Halliday Products, Inc. is of all aluminum and stainless steel construction, it requires minimal maintenance. For optimum product life the manufacturer recommends the following procedures be performed annually:

1. Inspect all stainless steel mounting hardware to insure the anchor bolts are completely inserted into the concrete and that they remain tight and secure. If any loose anchor bolts are discovered, replace them immediately. Consult the factory for replacement anchor bolts.
2. Inspect the grating beams to ensure that they are seated at or beyond the line on the non-pivot support bracket. Consult factory if the grating beam isn't seated at least to the line.



3. Pivot the Retro-Grate™ to the open position to ensure the hold open latch automatically locks the grate in the open position. Remove any debris that inhibits the latch from moving freely without binding. Consult factory if the latch does not lock the grate in the open position.
4. Inspect both pivot bolts to ensure they are completely tightened into the pivot clevises.
5. Inspect for and remove any debris from the Retro-Grate™ and its support brackets.



LIMITED WARRANTY

Halliday Products, Inc., a Florida Corporation (“Company”) warrants to the original customer the aluminum Retro-Grate™, installed on the access frame and cover will be free from defective material or faulty workmanship for three (3) years from date of shipment to the customer. In the event of malfunction or other indication of failure attributable directly to defective material or faulty workmanship, Company will, upon receipt of a written notification from customer of such defective material or faulty workmanship, at its option and expense, repair or replace the defective Retro-Grate™, or a component thereof, to whatever extent Company shall deem necessary to restore the or a component thereof, to proper operating condition. Company may replace the defective unit or component thereof, with either a new or remanufactured, functionally equivalent unit or component thereof at the Company’s option. **THIS WARRANTY IS EXCLUSIVE AND IN LIEU OF ALL OTHER WARRANTIES, WHETHER OR NOT STATUTORY, OR EXPRESSED OR IMPLIED, INCLUDING WITHOUT LIMITATION, THE IMPLIED WARRANTIES OF MERCHANTABILITY AND FITNESS FOR A PARTICULAR PURPOSE. THE EXCLUSIVE REMEDY FOR DEFECTIVE FRAME AND COVER SHALL BE ONLY IN CONTRACT, WHETHER OR NOT CAUSED BY A DEFECTIVE FRAME AND COVER, OR NEGLIGENCE. COMPANY’S LIABILITY FOR LOSS OR DAMAGES SHALL NOT EXCEED THE PRICE PAID BY CUSTOMER FOR THE FRAME AND COVER, REGARDLESS OF THE FORM OF ANY CLAIM. IN NO EVENT SHALL COMPANY BE LIABLE FOR ANY SPECIAL, INCIDENTAL, INDIRECT, CONSEQUENTIAL, OR PUNITIVE DAMAGES WHATSOEVER RESULTING FROM ANY DEFECTIVE FRAME AND COVER OR COMPONENT THEREOF. IF MODIFICATION OR ALTERATION IS MADE TO THE FRAME AND COVER OR COMPONENT THEREOF BY OTHER THAN COMPANY AUTHORIZED PERSONS, OR IF IT IS INSTALLED IMPROPERLY, OR MISUSED, ABUSED AND/OR NEGLECTED, THIS LIMITED WARRANTY IS NULL AND VOID AND OF NO EFFECT. THIS LIMITED WARRANTY DOES NOT APPLY AND THE COMPANY WILL HAVE NO RESPONSIBILITY HEREUNDER FOR NORMAL WEAR AND TEAR.**

Halliday Products, Inc.
6401 Edgewater Dr
Orlando, FL 32810
Toll Free: 800-298-1027
Email: Sales@HallidayProducts.com