

SERIES L4E & L6E **LADDER EXTENSIONS**

TABLE OF CONTENTS

V e n d o r D a t a

F e a t u r e a n d S p e c i f i c a t i o n

P a r t s L i s t

I n s t a l l a t i o n a n d O p e r a t i o n I n s t r u c t i o n s

L i m i t e d W a r r a n t y

VENDOR DATA

**HALLIDAY PRODUCTS, INC.
6401 Edgewater Drive
Orlando, FL 32810**

Phone: 407-298-4470 - Fax: 407-298-4534

Toll Free: 800-298-1027

Email: sales@HallidayProducts.com

Web Site at www.HallidayProducts.com

Series L4E & L6E Stainless Steel Ladder Extensions

STANDARD FEATURES:

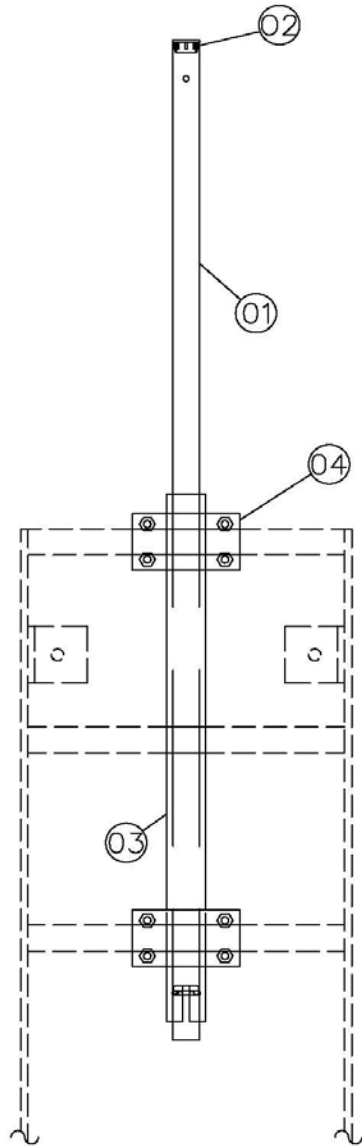
All welded construction
Stainless steel channel clamp
1-5/8" safety post

SPECIFICATION:

The series L4E (Type 304) & L6E (Type 316) Stainless Steel extensions as manufactured by Halliday Products, Inc. of Orlando, Florida, shall be constructed entirely of Type 304 or Type 316 stainless steel. The stainless steel housing shall mount to the ladder by means of stainless steel channel clamps secured to the ladder rungs with stainless steel "U" bolts. The stainless steel telescoping post shall extend 37" above the top of the housing and lock into position with a stainless steel pin.

APPLICATION:

The L4E & L6E series extensions are used to assist personnel in getting on and off a ladder. The extension retracts after use so the access cover can be closed.



STANDARD COMPONENT PARTS

- ① SAFETY EXTENSION PIPE
- ② BLACK CAP
- ③ SAFETY EXTENSION TUBE
- ④ EXTENSION MOUNTING PLATE

Installation and Operation

INSTALLATION:

1. Place ladder flat on the ground with standoffs down.
2. Place 2" square stainless steel tube in center of rungs with the "T" shaped slot below third rung.
3. Place stainless steel channel clamp over square stainless steel tube so "U" clamp holes line up on either side of rungs.
4. Insert stainless steel "U" bolts over rung and through holes in stainless steel channel clamp.
5. Apply 10-15 foot pounds of torque to all "U" bolt nuts.
6. Verify that square stainless steel tube is secured to ladder rungs.

OPERATION:

To engage ladder extension, grasp stainless steel post above the stainless steel clamp, and pull straight up until lower stainless steel pin is seated.

Rotate stainless steel post $\frac{1}{4}$ turn either direction to secure pin in slot.

NOTE: For safety purposes, pin must be in locked position prior to operation.



LIMITED WARRANTY

Halliday Products, Inc., a Florida Corporation (“Company”) warrants to the original customer the stainless steel extension will be free from defective material or faulty workmanship for a period of three (3) years from date of purchase by Customer. In the event of malfunction or other indication of failure attributable directly to defective material or faulty workmanship, Company will, upon receipt of a written notification from customer of such defective material or faulty workmanship, at its option and expense, repair or replace the defective extension, or a component thereof, to whatever extent Company shall deem necessary to restore the extension, or a component thereof, to proper operating condition. Company may replace the defective extension, or a component thereof, with either a new or remanufactured, functionally equivalent extension or component thereof at the Company’s option. **THIS WARRANTY IS EXCLUSIVE AND IN LIEU OF ALL OTHER WARRANTIES, WHETHER OR NOT STATUTORY, OR EXPRESSED OR IMPLIED, INCLUDING WITHOUT LIMITATION, THE IMPLIED WARRANTIES OF MERCHANTABILITY AND FITNESS FOR A PARTICULAR PURPOSE. THE EXCLUSIVE REMEDY FOR DEFECTIVE EXTENSION SHALL BE ONLY IN CONTRACT, WHETHER OR NOT CAUSED BY A DEFECTIVE EXTENSION, OR NEGLIGENCE. COMPANY’S LIABILITY FOR LOSS OR DAMAGES SHALL NOT EXCEED THE PRICE PAID BY CUSTOMER FOR THE EXTENSION, REGARDLESS OF THE FORM OF ANY CLAIM. IN NO EVENT SHALL COMPANY BE LIABLE FOR ANY SPECIAL, INCIDENTAL, INDIRECT, CONSEQUENTIAL, OR PUNITIVE DAMAGES WHATSOEVER RESULTING FROM ANY DEFECTIVE EXTENSION OR COMPONENT THEREOF. IF MODIFICATION OR ALTERATION IS MADE TO THE EXTENSION OR COMPONENT THEREOF BY OTHER THAN COMPANY AUTHORIZED PERSONS, OR IF IT IS INSTALLED IMPROPERLY, OR MISUSED, ABUSED AND/OR NEGLECTED, THIS LIMITED WARRANTY IS NULL AND VOID AND OF NO EFFECT. THIS LIMITED WARRANTY DOES NOT APPLY AND THE COMPANY WILL HAVE NO RESPONSIBILITY HEREUNDER FOR NORMAL WEAR AND TEAR.**

Halliday Products, Inc.
6401 Edgewater Dr
Orlando, FL 32810
Toll Free: 800-298-1027
Fax: 407-298-4534