

SERIES B-A TRASH BASKETS

TABLE OF CONTENTS

V e n d o r D a t a

A p p l i c a t i o n a n d S p e c i f i c a t i o n

I n s t a l l a t i o n a n d M a i n t e n a n c e I n s t r u c t i o n s

L i m i t e d W a r r a n t y

VENDOR DATA

**HALLIDAY PRODUCTS, INC.
6401 Edgewater Drive
Orlando, FL 32810**

Phone: 407-298-4470 - Fax: 407-298-4534

Toll Free: 800-298-1027

Email: sales@hallidayproducts.com

Web Site at www.HallidayProducts.com

B-A Series Debris Basket

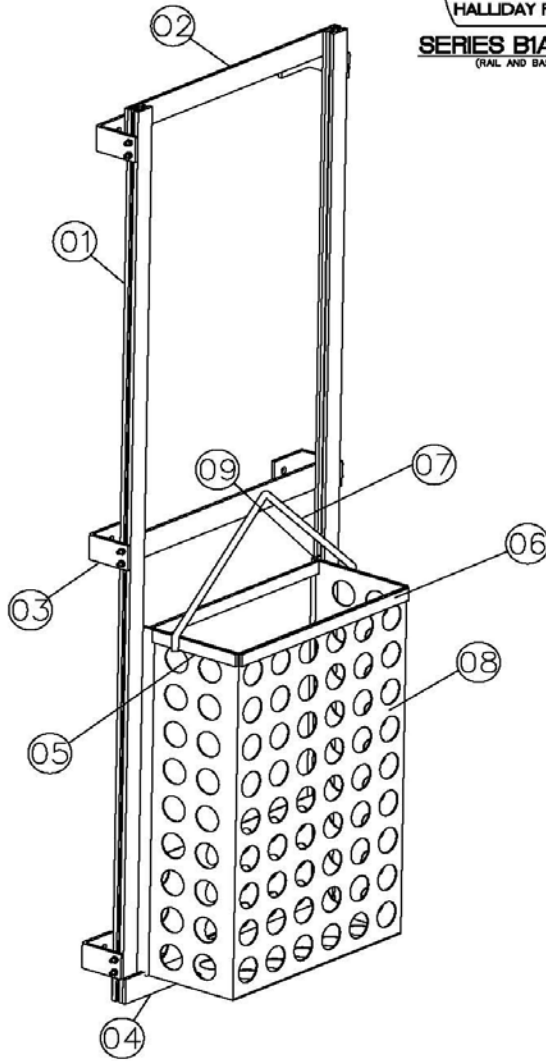
APPLICATION:

Perforated style series debris baskets are used to screen out solids that may otherwise damage pumping equipment in wet wells. This style basket is for light-duty applications, screening up to an 8 inch influent pipe. Standard baskets are manufactured of aluminum or stainless steel and are used in conjunction with either an extruded aluminum or stainless steel pipe rail system, which is used to position the basket at the proper elevation. The standard hole configuration is 2 inch holes on 3 inch centers with other hole sizes and spacing available. Trash baskets are used with portable hoists, which are used to raise and lower the basket for cleaning purposes.

SPECIFICATION:

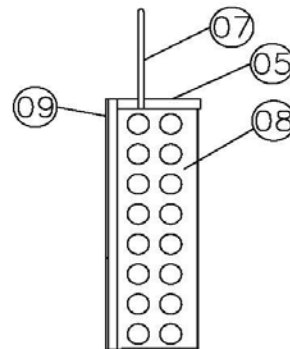
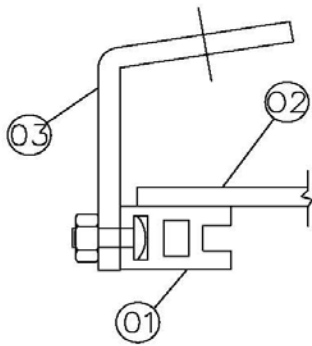
B1A (Aluminum) Basket 3003-H15 & Rails 6063-T5
B4A (T304 Stainless Steel)
B6A (T316 Stainless Steel)

The trash basket system as manufactured by Halliday Products, Inc. of Orlando, Florida, shall be of the perforated screen style basket, having 2" holes on 3" centers. The basket shall be of .080 aluminum or 16 gauge stainless steel with tracking angles as part of the basket frame. The guide rails shall be extruded channels sized to facilitate easy operation of the basket. An angle basket stop shall be supplied.



STANDARD COMPONENT PARTS

- ① BASKET RAIL
- ② SPACER BAR
- ③ STANDOFF
- ④ BASKET STOP BAR
- ⑤ BASKET UPPER SIDE BAR
- ⑥ BASKET UPPER FRONT/BACK BAR
- ⑦ BAIL
- ⑧ BASKET MATERIAL
- ⑨ BASKET RAIL ANGLE



Installation and Maintenance

INSTALLATION:

For proper installation, Halliday Products, Inc. recommends the following:

1. Rail system must be set plumb and with rails straddling the influent pipe.
2. Rails must be secured to the tank wall at standoff locations with anchor bolts.
3. To insure optimum screening, the influent pipe should be located within 1-inch of the back of the rail system. The basket stop should be placed approximately 12-inches below the invert.
4. Basket should be gently lowered into position. Never drop the basket into position.

MAINTENANCE:

Because trash basket and rail systems manufactured by Halliday Products, Inc. are of all aluminum and stainless steel construction, they require minimal maintenance. For optimum product life the manufacturer recommends the following procedures be taken annually:

1. Check and tighten any loose anchor bolts and the basket stop attaching hardware.
2. Check and maintain hoisting cable connection.
3. Remove debris from basket and rails when required.



LIMITED WARRANTY

Halliday Products, Inc., a Florida Corporation (“Company”) warrants to the original customer the aluminum and stainless steel trash basket assemblies will be free from defective material or faulty workmanship for a period of three (3) years from date of purchase by Customer. In the event of malfunction or other indication of failure attributable directly to defective material or faulty workmanship, Company will, upon receipt of a written notification from customer of such defective material or faulty workmanship, at its option and expense, repair or replace the defective trash basket assembly, or a component thereof, to whatever extent Company shall deem necessary to restore the trash basket assembly, or a component thereof, to proper operating condition. Company may replace the defective trash basket assembly, or a component thereof, with either a new or remanufactured, functionally equivalent trash basket assembly or component thereof at the Company’s option. **THIS WARRANTY IS EXCLUSIVE AND IN LIEU OF ALL OTHER WARRANTIES, WHETHER OR NOT STATUTORY, OR EXPRESSED OR IMPLIED, INCLUDING WITHOUT LIMITATION, THE IMPLIED WARRANTIES OF MERCHANTABILITY AND FITNESS FOR A PARTICULAR PURPOSE. THE EXCLUSIVE REMEDY FOR DEFECTIVE TRASH BASKET ASSEMBLY SHALL BE ONLY IN CONTRACT, WHETHER OR NOT CAUSED BY A DEFECTIVE TRASH BASKET ASSEMBLY, OR NEGLIGENCE. COMPANY’S LIABILITY FOR LOSS OR DAMAGES SHALL NOT EXCEED THE PRICE PAID BY CUSTOMER FOR THE TRASH BASKET ASSEMBLY, REGARDLESS OF THE FORM OF ANY CLAIM. IN NO EVENT SHALL COMPANY BE LIABLE FOR ANY SPECIAL, INCIDENTAL, INDIRECT, CONSEQUENTIAL, OR PUNITIVE DAMAGES WHATSOEVER RESULTING FROM ANY DEFECTIVE TRASH BASKET ASSEMBLY OR COMPONENT THEREOF. IF MODIFICATION OR ALTERATION IS MADE TO THE TRASH BASKET ASSEMBLY OR COMPONENT THEREOF BY OTHER THAN COMPANY AUTHORIZED PERSONS, OR IF IT IS INSTALLED IMPROPERLY, OR MISUSED, ABUSED AND/OR NEGLECTED, THIS LIMITED WARRANTY IS NULL AND VOID AND OF NO EFFECT. THIS LIMITED WARRANTY DOES NOT APPLY AND THE COMPANY WILL HAVE NO RESPONSIBILITY HEREUNDER FOR NORMAL WEAR AND TEAR.**

Halliday Products, Inc.
6401 Edgewater Dr
Orlando, FL 32810
Toll Free: 800-298-1027
Fax: 407-298-4534